



WATER • TECHNOLOGY

PERFORMANCE CURVES

2025-03-05

Page 2 / 3

DAB PUMPS S.p.A.
Via Marco Polo, 14 - 35035 Mestrino (PD), Italy
Tel. +39 049 5125000 - Fax +39 049 5125950
www.dabpumps.com

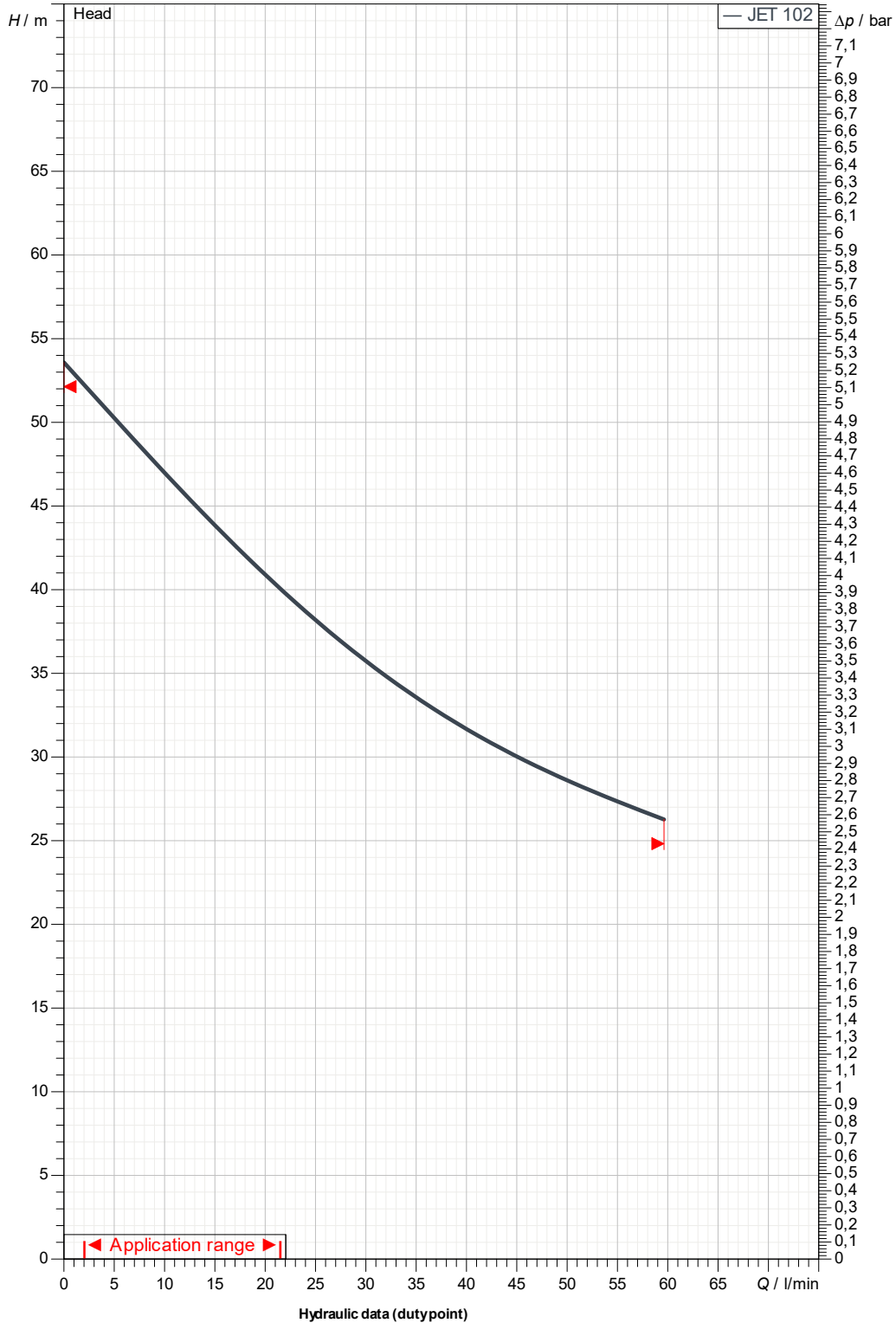
Receiver

From

Company
Reference
Address
Phone
Fax
E-mail

JET 102 M

Curve tolerance according to ISO 9906



Suction side :
1" G
6 bar

Discharge side :
1" G
6 bar

Flow :

Head :

Rated speed :
2.800 rpm

Project

Project ID

Created by

Created on

2025-03-05



DIMENSIONAL DRAWING

2025-03-05

Page 3 / 3

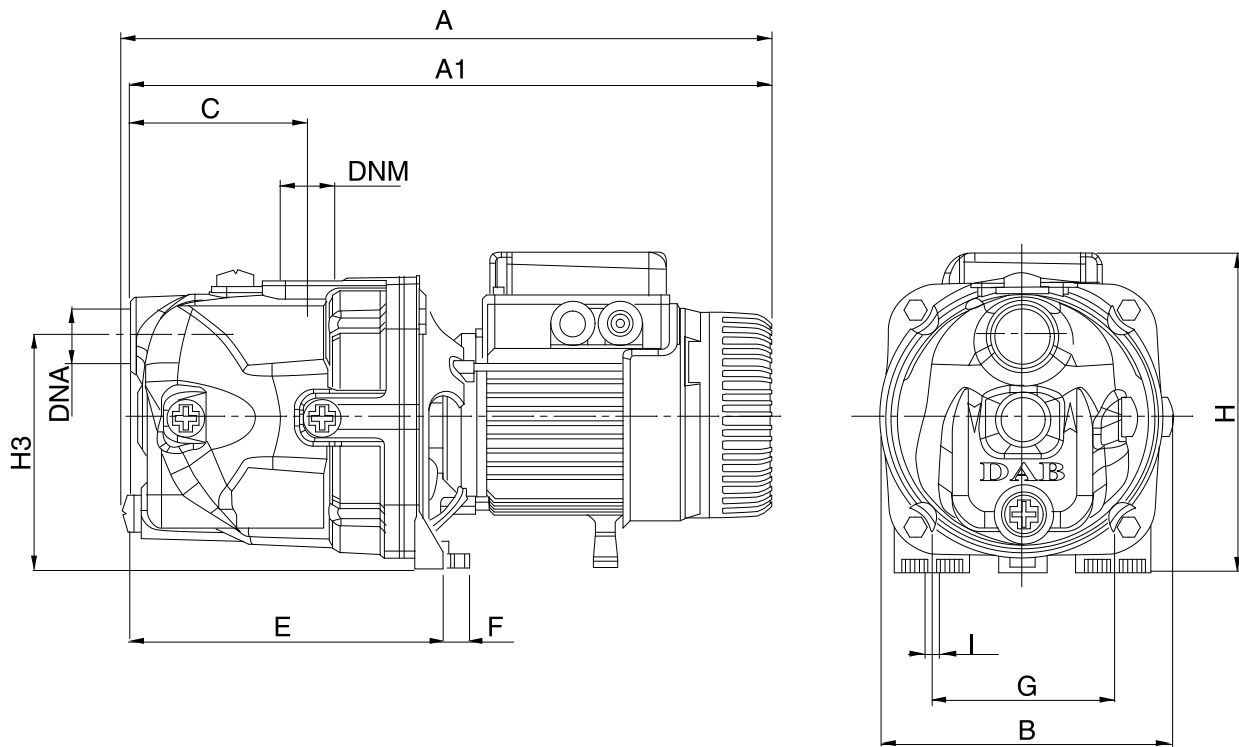
DAB PUMPS S.p.A.
Via Marco Polo, 14 - 35035 Mestrino (PD), Italy
Tel. +39 049 5125000 - Fax +39 049 5125950
www.dabpumps.com

Receiver

From

Company
Reference
Address
Phone
Fax
E-mail

JET 102 M



Dimensions in mm

Pump connection

1	A	414	1 Ø	9		
2	A1	409				Suction
3	B	178				1" G
4	C	108				6 bar
5	DNA	1" G				
6	DNM	1" G				
7	E	197				Discharge
8	F	14				1" G
9	G	111				6 bar
10	H	203				
11	H3	144				

Project	Project ID	Created by	Created on 2025-03-05
---------	------------	------------	---------------------------------